

CP-2GM Constant Pressure Sample Cylinder



The Welker® CP-2GM Constant Pressure Sample Cylinder is recognized for its versatile abilities to safely transport a sample in original pipeline condition and provide a uniform mix using the internal Gravity Mixer™ prior to lab analysis.

Features

- Proven safety in cylinder design
- Maintains integrity of the sample at full line pressure from collection to analysis
- Product and pre-charge sides with floating piston
- Internal Gravity Mixer™
- DOT and Transport Canada* approval for transportation
- Manufactured with over 40 years of industry-leading expertise

Benefits

- Safety features allow user to control and monitor pressure at all times
- Cylinder design eliminates the need for excessive purging and venting gas or liquid to the atmosphere
- Pre-charging the back side of the piston protects against phase change
- Internal Gravity Mixer™ provides a proper sample mix for accurate lab analysis
- Repeatable results
- Easy to handle



Transport
Canada*

SPECIFICATIONS

CP-2GM CONSTANT PRESSURE SAMPLE CYLINDER

CP-2GM

Materials of Construction	316/316L Stainless Steel
Seal Material	Viton®
Sample Inlet Connections	1/4" FNPT
Sample Outlet Connections	1/4" FNPT
Cylinder Volume	500 cc
Cylinder Mixer Type	Gravity Mixer™
Cylinder Accessories	Rupture Disc, Reliefs, Valves, and Gauges
Operating Pressure	1800 psig MAOP @ -20 °F to 120 °F
Transport Approvals	DOT-SP 7657 Transport Canada SU 4781*
Industry Standards	Complies with API 8.1, API 14.1, ASTM D1265, ASTM D3700, ASTM D4057, GPA 2166, GPA 2174, ISO 3170, ISO 4257, and ISO 10715

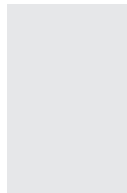
* Available upon request.

STANDARD OPTIONS

CP-2GM CONSTANT PRESSURE SAMPLE CYLINDER

SEALS

C2SD110



A or F

AA0B0A00A0

SEALS

- A: Viton®
- F: Kalrez® (Product Side) and Viton® (Pre-charge Side)

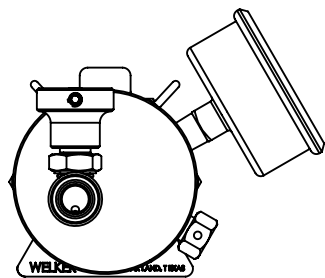
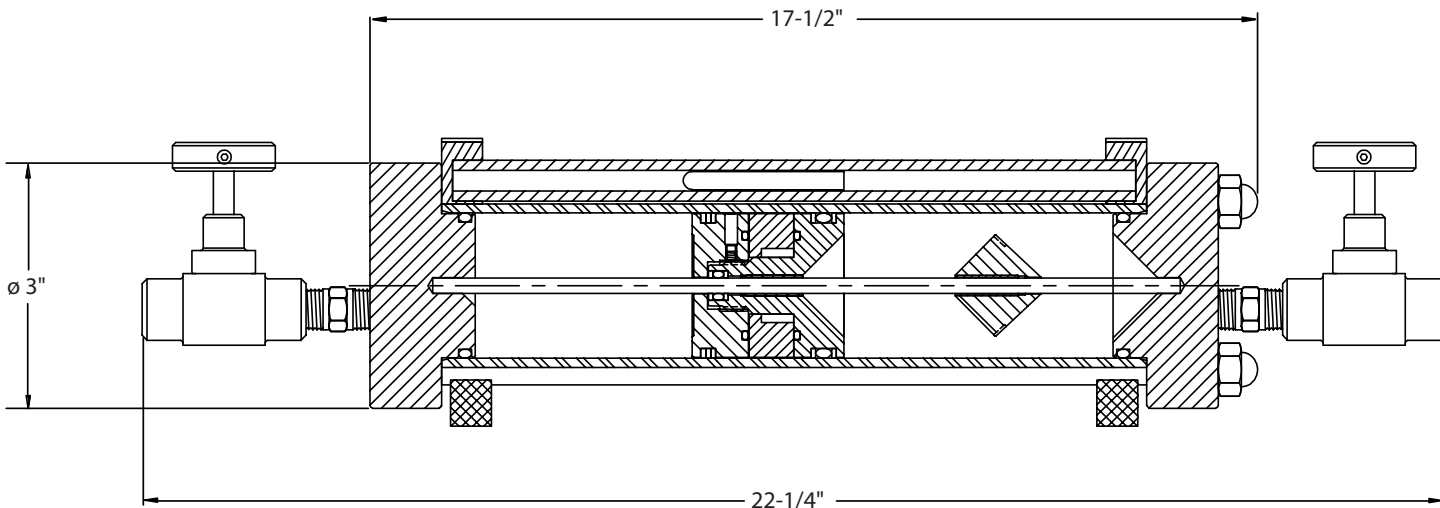
For custom options, choose **Plus Welker™**.



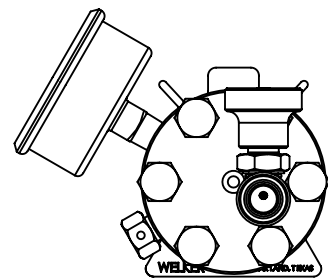
Customer Inspired. Welker Manufactured.

Collaborate with us to create a custom product unique to your application.

DIMENSIONS



Weight: 13.5 lb empty



Weight and/or dimensions are approximate.
Specifications subject to change without notice.



13839 WEST BELLFORT STREET SUGAR LAND, TEXAS 77498 | 281.491.2331 | sales@welker.com | WELKER.COM
©2016 Welker, Inc., All Rights Reserved. Welker®, W Welker®, W logo, WelkerScope®, Welker Jet®, and OdorEyes® are registered trademarks owned by Welker, Inc.