

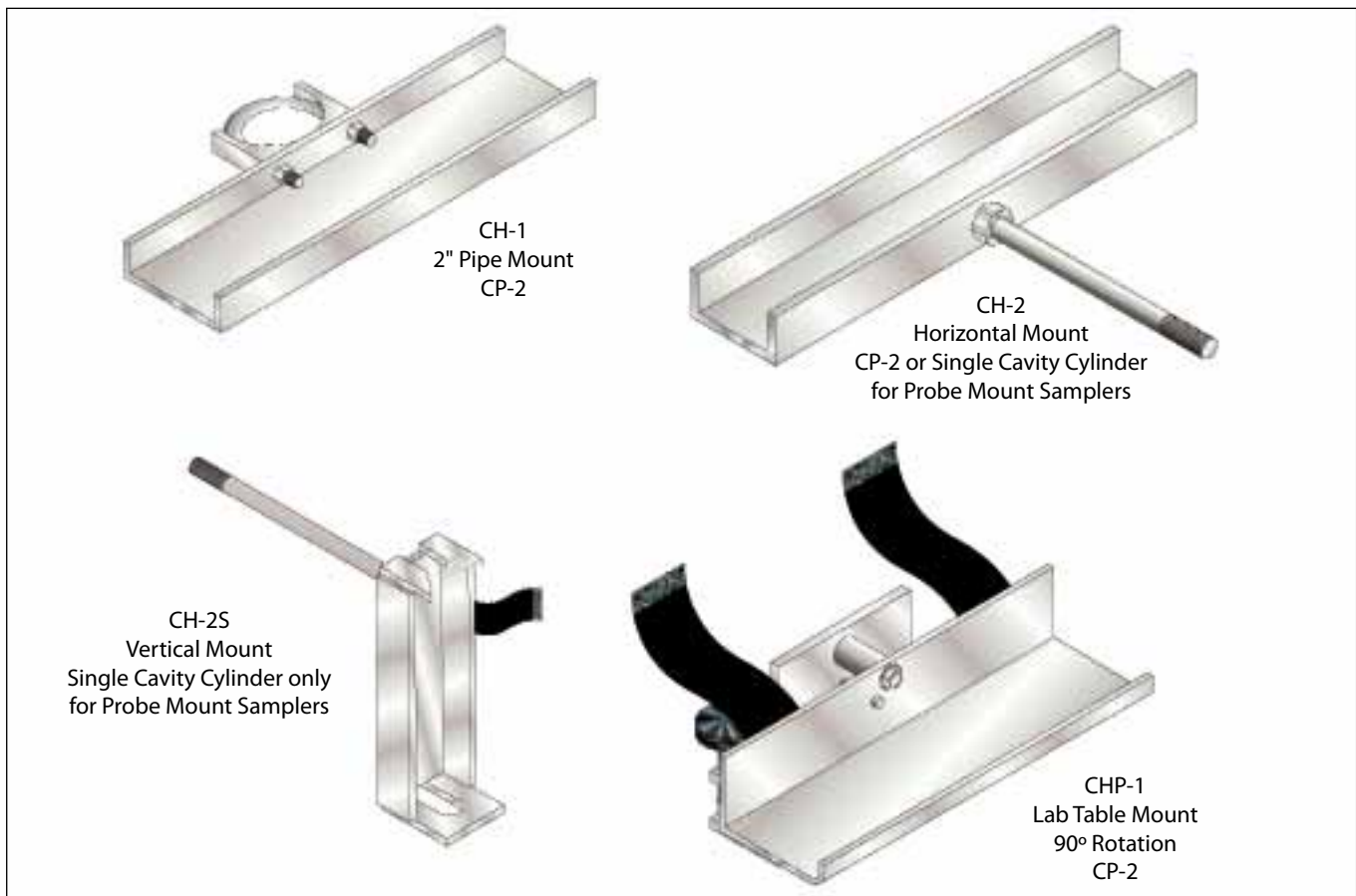


# Welker® Cylinder Holders/Positioners

*Welker offers a variety of cylinder holders to accommodate all your sampler needs.*

Welker offers yet another innovative product for the gas and liquid measurement industry. The laboratory cylinder holder is the answer to laboratory clutter when running cylinders for analysis. Versatile for multiple cylinder sizes, and designed for easy set up, the laboratory cylinder holder clamps in place and rotates to proper cylinder position quickly and easily. Improve your efficiency and your analysis with the Welker laboratory cylinder holder.

**Welker Makes It Easier!**



Weight and/or dimensions are approximate.  
Specifications subject to change without notice.

